

The GSPLF OH2, is a low flow centre-line mounted single stage sealless magnetic drive pump with relatively high head capability that is API 685 and hazardous area compliant.



## GSPLF (OH2) Low Flow



The **GSPLF (OH2)** range comprises pumps based on the HMD Kontro GSP drive, built to API 685 specification, suitable for heavy-duty applications.

The GSPLF combines the proven technologies of Sundyne Barske Wheel hydraulics with the HMD Kontro sealless magnetic drive, optimising reliability and efficiency to ensure trouble-free plant operation.

The GSPLF meets the requirements of API 685 (OH2) and is explosive atmosphere compliant, making it ideal for oil and gas installations plus chemical and petrochemical applications.

An additional advantage of the GSPLF is the flexibility inherent in the diffuser and impeller design, which can easily be upgraded should the duty need to be changed without replacing the pressure casing.

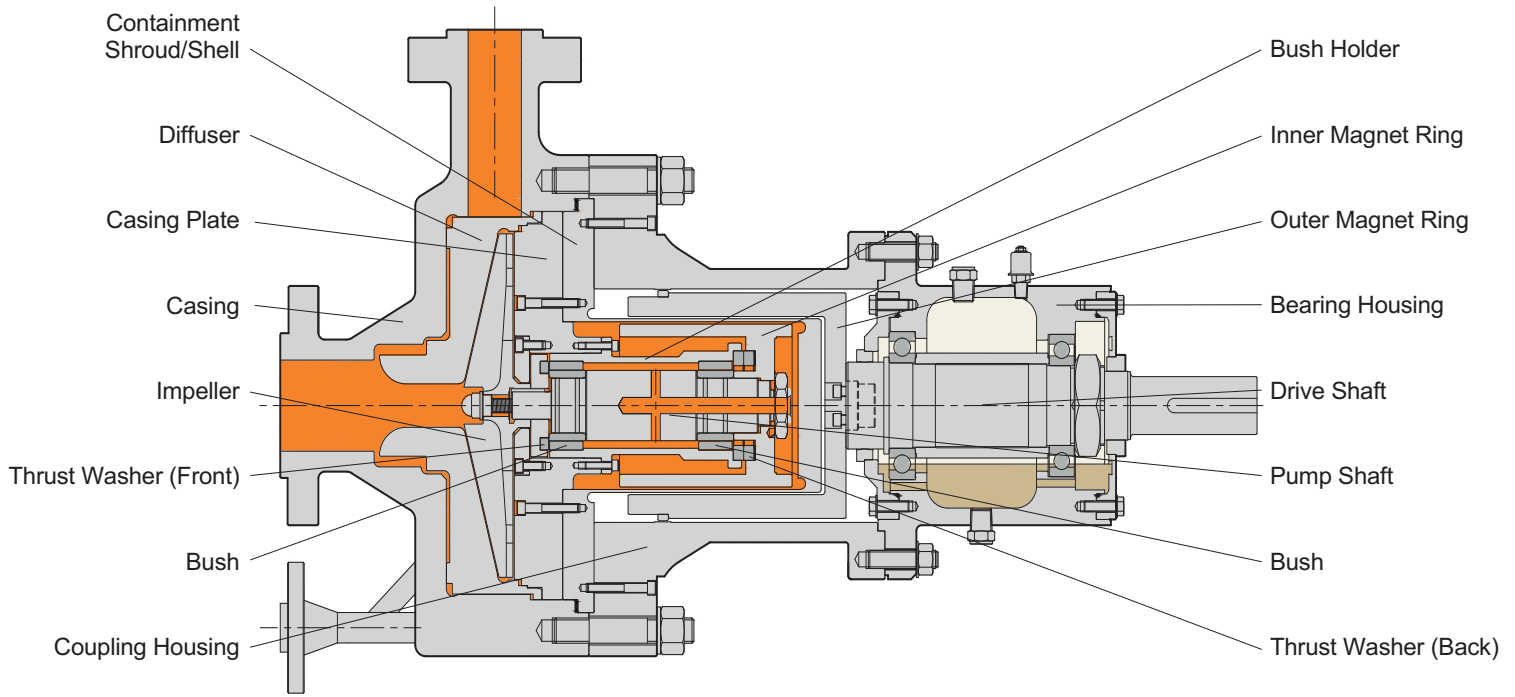
### Specifications

	60Hz	50Hz
Heads To	0 to 720ft	0 to 150m
Flows To	20 to 160gpm	4 to 30m <sup>3</sup> /hr
Max Power	0 to 100hp	0 to 75kW
Temp Range	-145 to 600°F	-100 to 315°C
Number of Stages	One	
Max Case Working Pressure	580 psi	40 bar
Speed Range	1,450 to 3,500rpm	
Materials of Construction	S-5, A-8, D-1, D-2 (API 685 Material Class)	
Max Viscosity	200cSt	
Industry Standard	API 685 (API 610) OH2 centreline mounted single stage overhung pump	
Solids Range	Maximum of 5% w/w less than 150 microns	
Number of Available Hydraulics	13	
Bearing Material	Alpha sintered SiC	
Hydrotest Pressure	870 psi	60 bar
Motor Details	Industry standard	

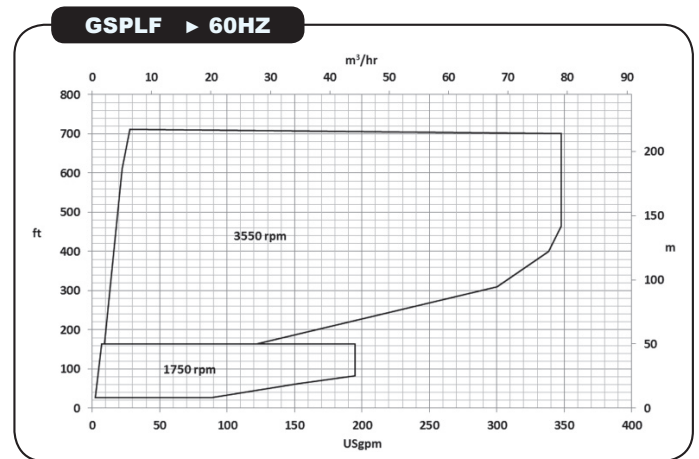
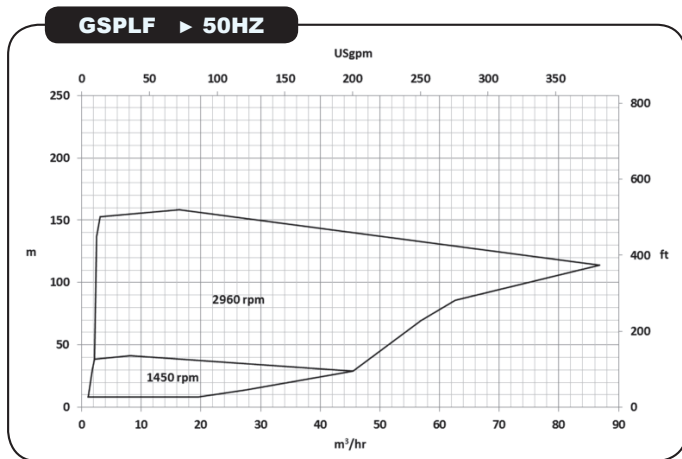
### APPLICATIONS

- Butane Transfer
- Aromatics
- Caustics
- Sour Water
- Benzene Reduction
- Crude Oil Transfer
- Amine Treating
- Condensate
- Light Hydrocarbon

# CONSTRUCTION



# PERFORMANCE



Visit our website at: [www.sundyne.com](http://www.sundyne.com)